



Commercial/Hospitality/Retail

Applications

- Wall or ceiling mounting options
- Security lighting
- Common areas
- Public spaces
- Exterior applications



Description

- Aluminium base
- Opal glass diffuser
- Colour options available
- IP65 rated



product range

Code	WLMR14W300WH
Watts	13.5W
Dimension	300mm
CRI	>80
Efficiency	≥65lm/W





Quick Facts

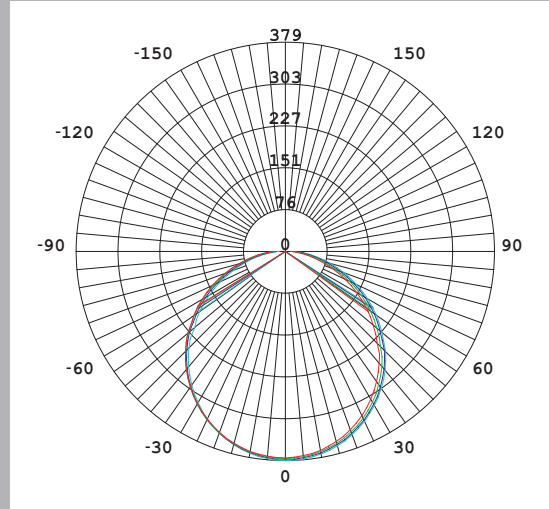
Watts	13.5W
Power Factor	≥0.8
IP Rating	65
Dimming	No
Luminous Flux	870lm
Color Temperature	4000K
Color Rendering Index(CRI)	>80
Beam Angle	120°
Fascia Colour	White
Installation	Surface Mounted
Warranty	3 Years

Product Specifications

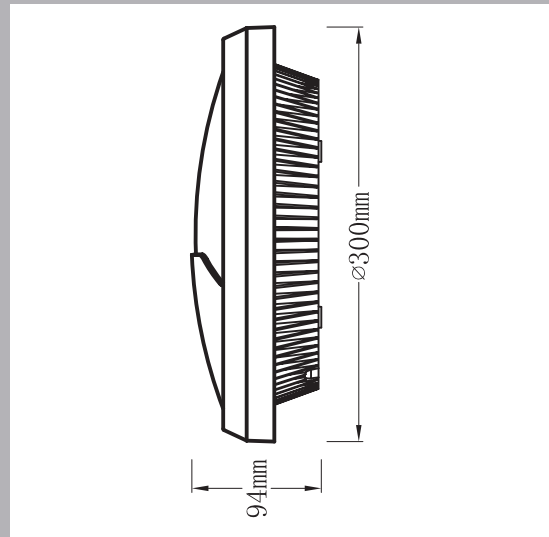
Supply Voltage	220-240VAC
Supply Frequency	50/60Hz
Cable	N/A
Body	Aluminium
Diffuser	PC
Driver	Fixed
Ambient Temp	-30°C to +50°C
Avg. Lifetime	>30,000 hrs @ ta 25°C

Option

- CCT 3000K/4000K/5000K
- Color White/Black/Silver
- Type   



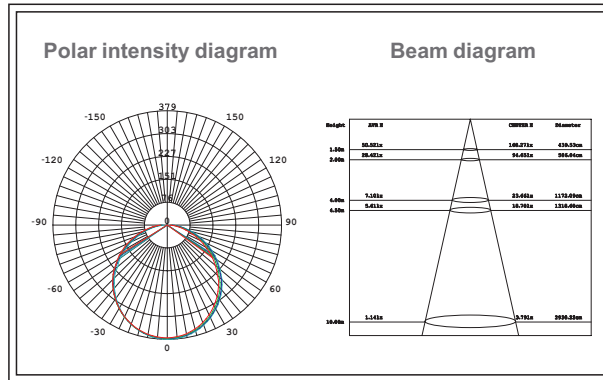
WLMR14W300WH





Photometric Diagram

WLMR14W300WH





Product Information

Technical Specifications

Voltage	Power	Power Factor	Lumen	CCT	Beamangle	Lifespan	CRI	Dimmable
220-240VAC	13.5W	≥0.8	870lm	4000K	120°	>30,000 hrs	≥80	No

Driver Data Sheet

Driver Data	Dim	Non-Dim
Frequency	— —	50/60Hz
Input Voltage	— —	220-240VAC
Efficiency	— —	≥80%
Total Load Wattage	— —	17.6W
Power Factor	— —	≥0.8
Full Load Output Voltage	— —	10-20VDC
Rated Output Current	— —	600mA
Power Tolerance	— —	— —
Current Output Tolerance	— —	±5%
Dimming Range	— —	No
Dimmer	— —	No
Short Circuit Protection	— —	PASS
THD	— —	<20%
Withstand Voltage	— —	3.75KV

