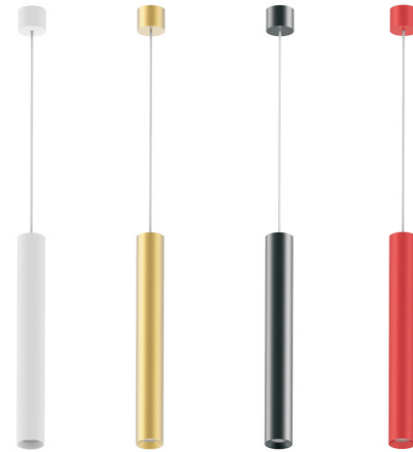




Residential/Commercial/ Retail/Hospitality

Applications

- Residential spaces
- Office fronts
- Retail spaces
- Feature lighting



Description

- Colour options available
- Easy mounting
- Integral driver
- 2 different wattages available



product range

Code	PDSR7W50GD	PDSR15W66GD
Watts	7W	15W
Dimension	50mm	66mm
CRI	>90	>90
Efficiency	≥40lm/W	≥40lm/W





Quick Facts

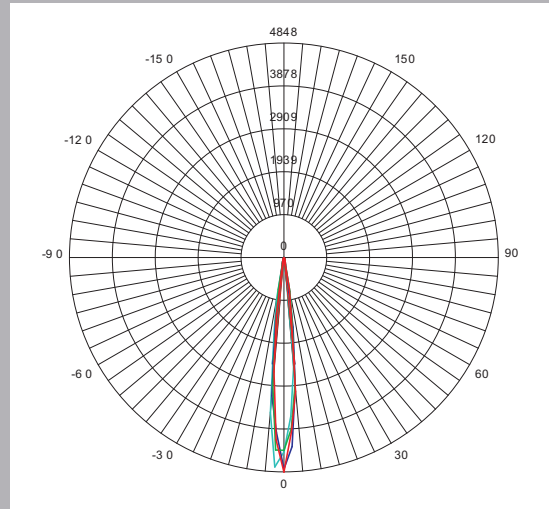
Watts	7W
Power Factor	≥0.92
IP Rating	20
Dimming	No
Luminous Flux	280lm
Color Temperature	3000K
Color Rendering Index(CRI)	>90
Beam Angle	10°
Fascia Colour	Gold
Installation	Suspended
Warranty	3 Years

Product Specifications

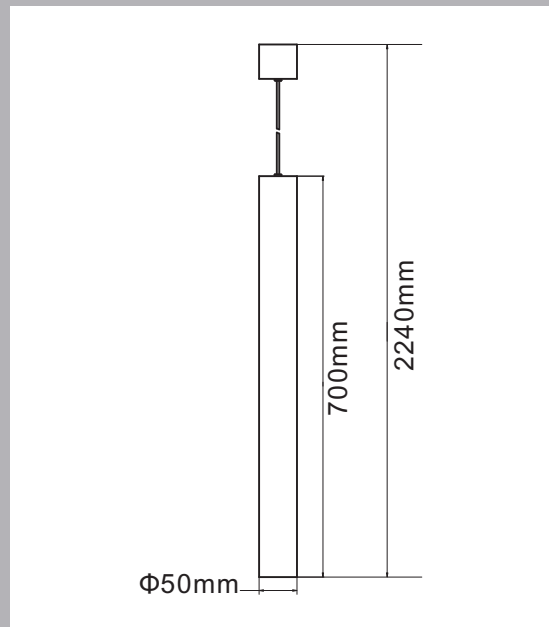
Supply Voltage	220-240VAC
Supply Frequency	50/60Hz
Cable	N/A
Body	Aluminium
Diffuser	PC
Driver	N/A
Ambient Temp	-15°C to +40°C
Avg. Lifetime	>30,000 hrs @ ta 25°C

Option

• CCT	3000K/4000K/5000K
• CRI	> 80/ > 90
• Color	White/Black/Gold/Red
• Beam Angle	10°/15°/26°/35°/47°



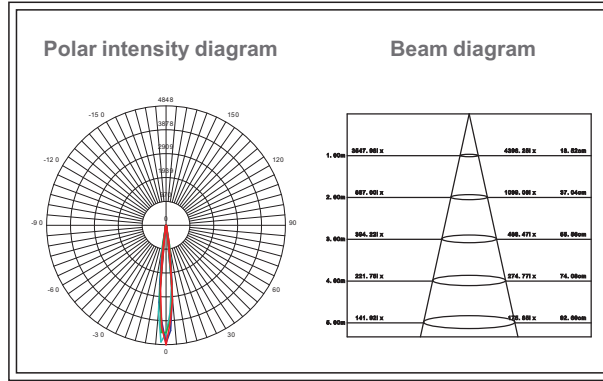
PDSR7W50GD



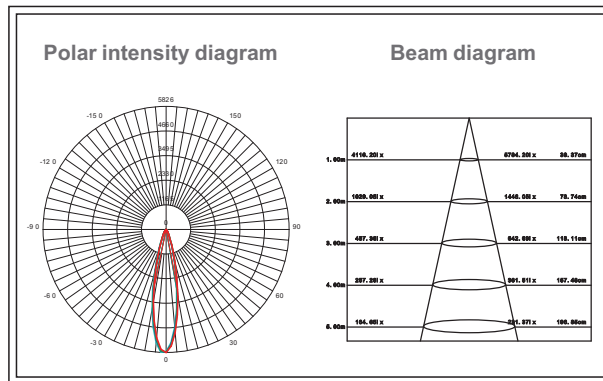


Photometric Diagram

PDSR7W50GD



PDSR15W66GD





Product Information

Technical Specifications

Voltage	Power	Power Factor	Lumen	CCT	Beamangle	Lifespan	CRI	Dimmable
220-240VAC	7W	≥0.92	280lm	3000K	10°	>30,000 hrs	>90	No
220-240VAC	15W	≥0.92	600lm	3000K	26°	>30,000 hrs	>90	No

Driver Data Sheet

Driver Data	Dim	Non-Dim
Frequency	— —	50/60Hz
Input Voltage	— —	220-240VAC
Efficiency	— —	≥85%
Total Load Wattage	— —	10.6W
Power Factor	— —	≥0.92
Full Load Output Voltage	— —	33-45VDC
Rated Output Current	— —	200mA
Power Tolerance	— —	— —
Current Output Tolerance	— —	±5%
Dimming Range	— —	No
Dimmer	— —	No
Short Circuit Protection	— —	PASS
THD	— —	<20%
Withstand Voltage	— —	3.75KV

