



Showcases/Retail/Museums

Applications

- Highlight products
- Can be run in series or clusters
- Retail lighting
- Museum lighting



Description

- Can be run in series or clusters
- Silver, black
- Dimmable
- Varied beam angles 6°-60°
- Adjustable height



product range

Code	MMR3W22*300SL
Watts	3W
Cutout	13mm
CRI	>90
Efficiency	≥100lm/W





Quick Facts

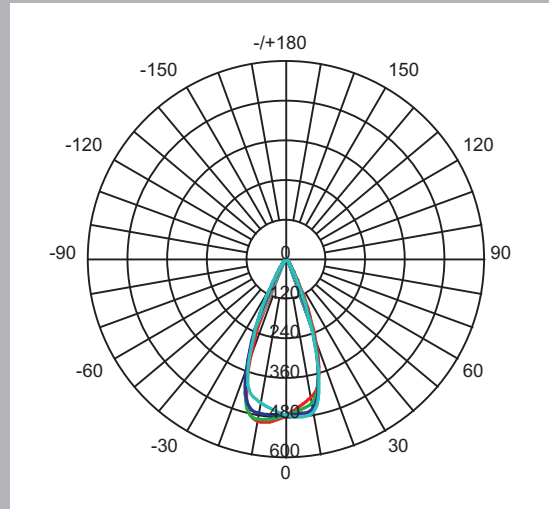
Watts	3W
Power Factor	≥0.9
IP Rating	20
Dimming	No
Luminous Flux	300lm
Color Temperature	3000K
Color Rendering Index(CRI)	>90
Beam Angle	60°
Fascia Colour	Black
Installation	Surface Mounted
Warranty	5Years

Product Specifications

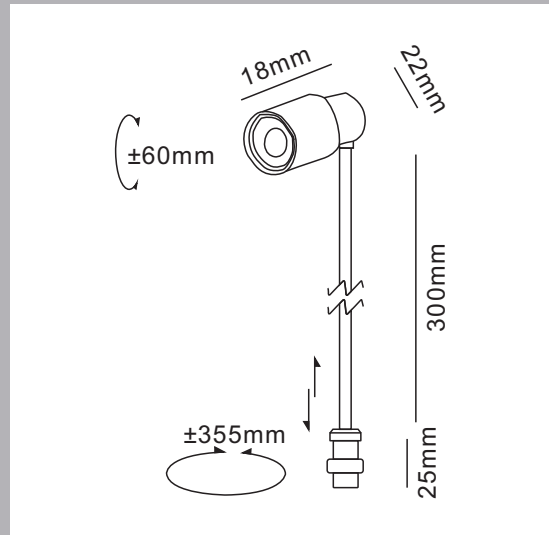
Supply Voltage	100-240VAC
Supply Frequency	50/60Hz
Cable	No
Body	Aluminium
Diffuser	PC
Driver	Fixed
Ambient Temp	0°C to +40°C
Avg. Lifetime	>50,000 hrs @ ta 25°C

Option

• CCT	3000K/4000K/5000K
• CRI	>70/ > 80/ > 90
• Color	Black/Silver
• Beam Angel	6°-60°



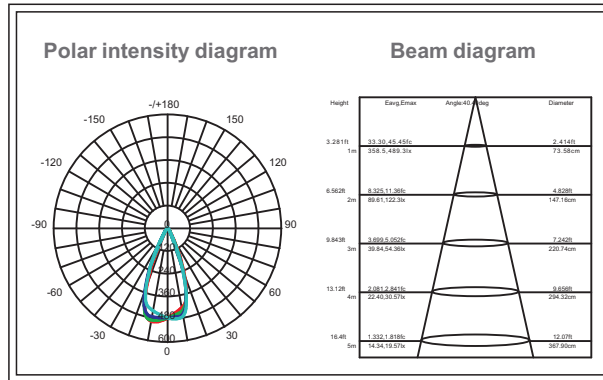
MMR3W22*300SL





Photometric Diagram

MMR3W22*300SL





Product Information

Technical Specifications

Voltage	Power	Power Factor	Lumen	CCT	Beamangle	Lifespan	CRI	Dimmable
100-240VAC	3W	≥0.9	300lm	3000K	60°	>50,000 hrs	>90	No

Driver Data Sheet

Driver Data	Dim	Non-Dim
Frequency	— —	50/60Hz
Input Voltage	— —	100-240VAC
Efficiency	— —	— —
Total Load Wattage	— —	— —
Power Factor	— —	≥0.9
Full Load Output Voltage	— —	3-10VDC
Rated Output Current	— —	500mA
Power Tolerance	— —	— —
Current Output Tolerance	— —	±5%
Dimming Range	— —	No
Dimmer	— —	No
Short Circuit Protection	— —	PASS
THD	— —	<20%
Withstand Voltage	— —	3.75KV

