



**Residential/Commercial/Retail/  
Hospitality/Museums/Libraries**

**Applications**

- Recessed feature downlight, spotlight
- Retail spaces
- Arcades
- Educational areas



**Description**

- Aluminium and polycarbonate
- 8 watts to 40 watts
- Stylish design and function
- Dimmable with controls
- Colour options available



**Product range**

Code	DRR8W96WH	DRR15W96WH	DRR20W130WH	DRR25W130WH	DRR40W205WH
Watts	8W	15W	20W	25W	40W
Cutout	96mm	96mm	130mm	130mm	205mm
CRI	>80	>80	>80	>80	>80
Efficiency	80lm/W	80lm/W	80lm/W	80lm/W	80lm/W

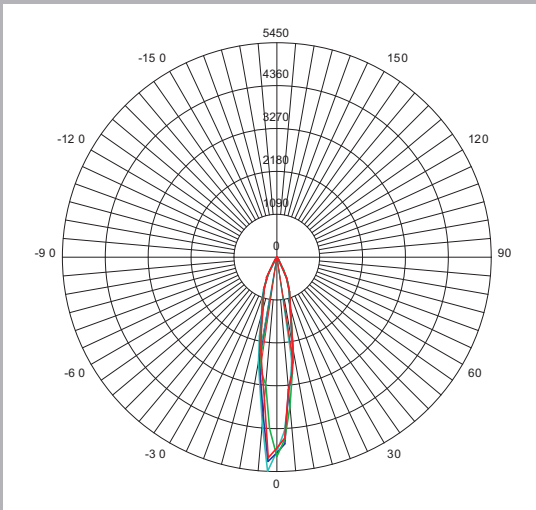




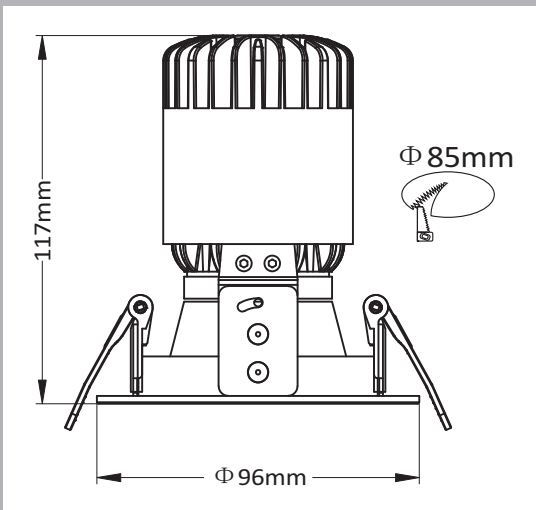
**LUCESCO**  
light for life

**Cagliari Series**  
DRR15W96WH

DOWNLIGHT



DRR15W96WH



### Quick Facts

Input Power	15W
Power Factor	>0.92
IP Rating	20
Dimming	Yes
Luminous Flux	1200lm
Color Temperature	3000K
Color Rendering Index(CRI)	>80
Beam Angle	30°
Fascia Colour	White
Installation	Recessed
Warranty	3 Years

### Product Specifications

Supply Voltage	220-240VAC
Supply Frequency	50/60Hz
Cable	1.2M Flex&Plug
Body	Aluminium
Diffuser	PC
Driver	Remote
Ambient Temp	-30°C to +50°C
Avg. Lifetime	>50,000 hrs @ ta 25°C

### Option

• CCT	3000K/4000K/5000K
• CRI	>70/>80/>90
• Color	White/Black/Silver
• Dimming	0~10V/Dali
• Beam Angle	10°/24°/30°/36°

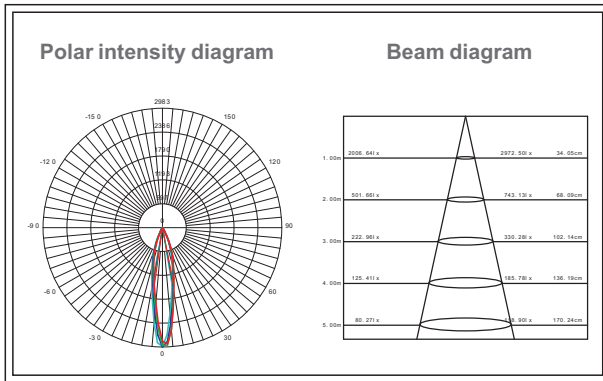


enquiries @ lucesco .com.au | 08 8366 2294 | www.lucesco .com.au

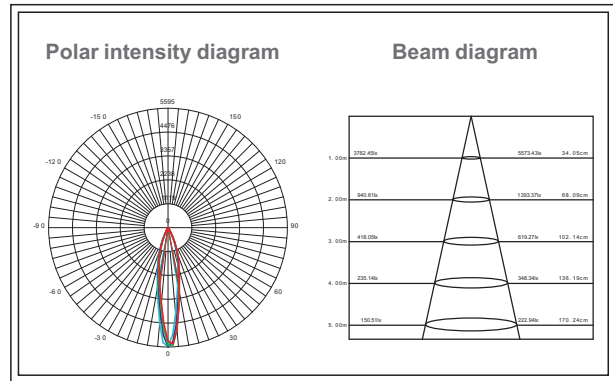


# Photometric Diagram

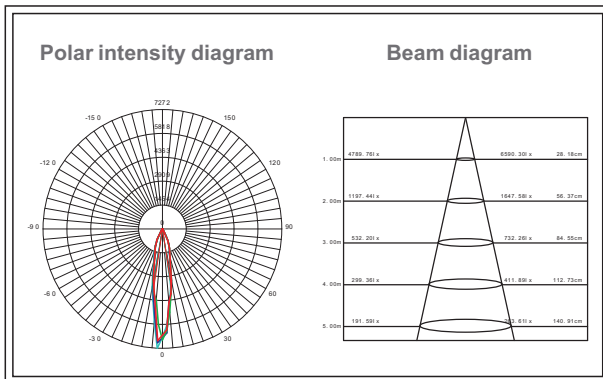
**DRR8W96WH**



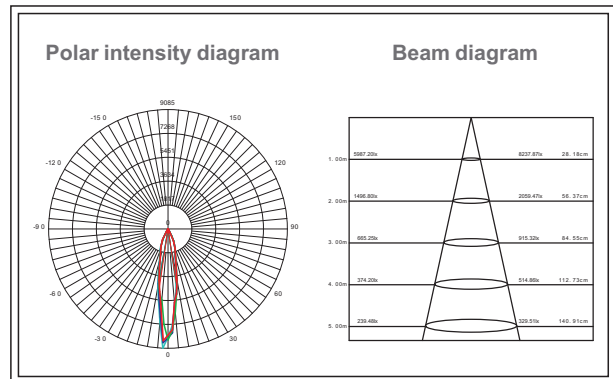
**DRR15W96WH**



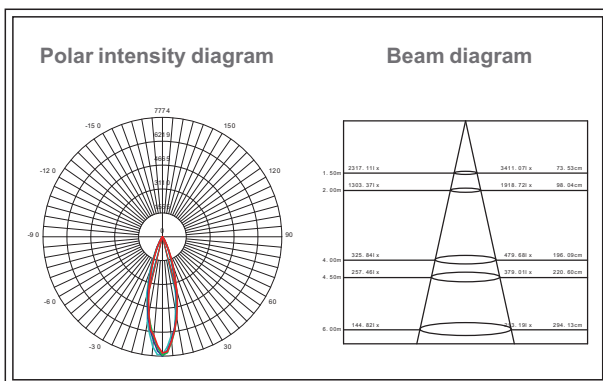
**DRR20W130WH**



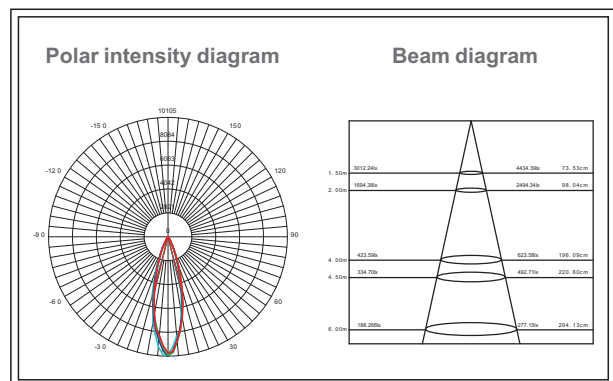
**DRR25W130WH**



**DRR30W175WH**



**DRR40W205WH**





## Product Information

### Technical Specifications

Voltage	Power	Power Factor	Lumen (±5%)	CCT	Beamangle	Lifespan	CRI	Dimmable
220-240VAC	8W	≥0.92	640lm	2700K	30°	>50,000 hrs	≥80	No
220-240VAC	15W	≥0.92	1200lm	3000K	30°	>50,000 hrs	≥80	No
220-240VAC	20W	≥0.92	1600lm	3000K	30°	>50,000 hrs	≥80	No
220-240VAC	25W	≥0.95	2000lm	3000K	30°	>50,000 hrs	≥80	No
220-240VAC	30W	≥0.95	2400lm	3000K	30°	>50,000 hrs	≥80	No
220-240VAC	40W	≥0.95	3200lm	3000K	30°	>50,000 hrs	≥80	No

### Driver Data Sheet

Driver Data	Dim	Non-Dim
Frequency	— —	50/60Hz
Input Voltage	— —	220-240VAC
Efficiency	— —	≥88.5%
Total Load Wattage	— —	20.4W
Power Factor	— —	≥0.92
Full Load Output Voltage	— —	30-40VDC
Rated Output Current	— —	350mA
Power Tolerance	— —	13.5-18
Current Output Tolerance	— —	±5%
Dimming Range	— —	No
Dimmer	— —	No
Short Circuit Protection	— —	PASS
THD	— —	<20%
Withstand Voltage	— —	3.75KV

