



Retail/Commercial/Art Gallery



Applications

- Foyers
- Museums
- Theatres
- Retail fronts

Description

- Colour temps 3000K/4000K/5000K
- Adjustable
- Codes in 3 different beam angles
- Rotatable
- Easy to mount



product range

Code	TTR30W126WH	TTR40W126WH
Watts	30W	40W
Dimension	126mm	126mm
CRI	>80	>80
Efficiency	≥95lm/W	≥95lm/W





Quick Facts

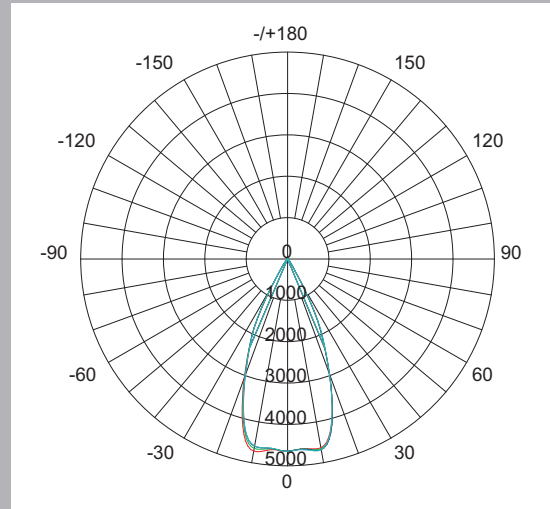
Watts	40W
Power Factor	≥0.9
IP Rating	20
Dimming	Dali
Luminous Flux	2850lm
Color Temperature	3000K
Color Rendering Index(CRI)	>80
Beam Angle	45°
Fascia Colour	White
Installation	Track Mount
Warranty	3 Years

Product Specifications

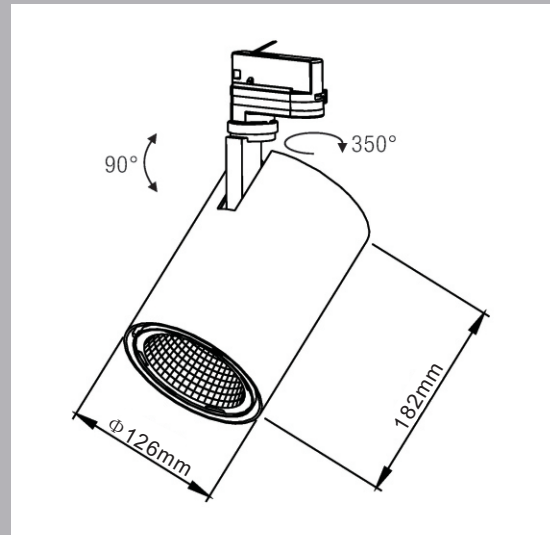
Supply Voltage	220-240VAC
Supply Frequency	50/60Hz
Cable	No
Body	Aluminium
Diffuser	PC
Driver	Fixed
Ambient Temp	-20°C to +40°C
Avg. Lifetime	>50,000 hrs @ ta 25°C

Option

- CCT 3000K/4000K/5000K
- CRI >80/>90
- Beam Angle 12°/20°/45°



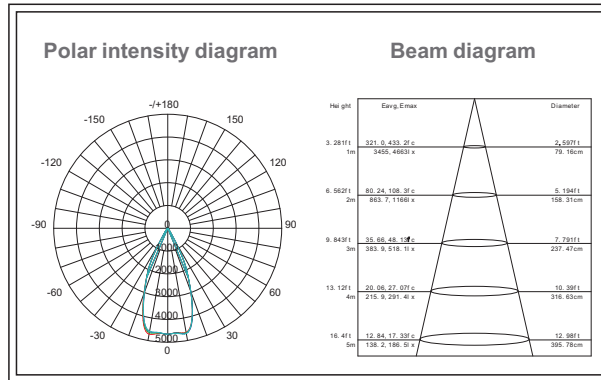
TTR30W126WH



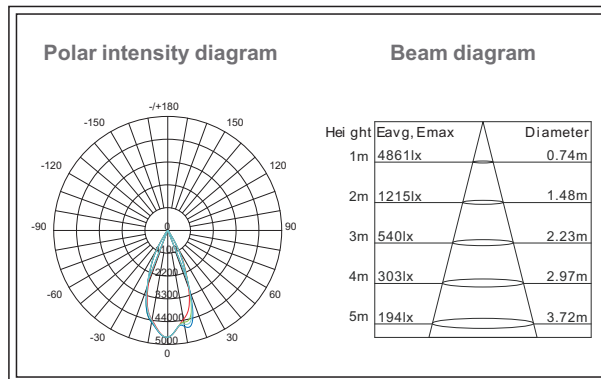


Photometric Diagram

TTR30W126WH



TTR40W126WH





Product Information

Technical Specifications

Voltage	Power	Power Factor	Lumen	CCT	Beamangle	Lifespan	CRI	Dimmable
220-240VAC	30W	≥0.9	2850lm	3000K	45°	>50,000 hrs	>80	No
220-240VAC	40W	≥0.9	3800lm	3000K	45°	>50,000 hrs	>80	No

Driver Data Sheet

Driver Data	Dim	Non-Dim
Frequency	— —	47-63Hz
Input Voltage	— —	198-264VAC
Efficiency	— —	≥85%
Total Load Wattage	— —	35W
Power Factor	— —	≥0.9
Full Load Output Voltage	— —	30-42VDC
Rated Output Current	— —	700mA
Power Tolerance	— —	— —
Current Output Tolerance	— —	±5%
Dimming Range	— —	No
Dimmer	— —	No
Short Circuit Protection	— —	PASS
THD	— —	<20%
Withstand Voltage	— —	3.75KV

