



Retail/Commercial/Art Gallery

Applications

- Foyers
- Museums
- Art galleries
- Retail fronts



Description

- Colour temps 3000K/4000K/5000K
- Rotatable
- Dali dimmable
- Range or beam angles
- Easy to mount



product range

Code	TTR15W82WH	TTR20W82WH
Watts	15W	20W
Dimension	82mm	82mm
CRI	>80	>80
Efficiency	≥85lm/W	≥85lm/W





Quick Facts

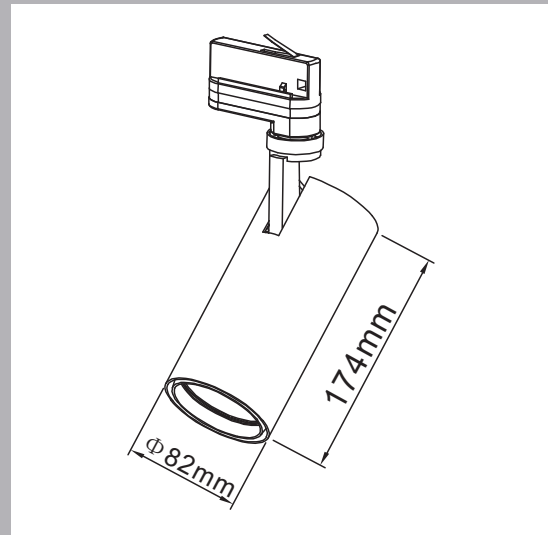
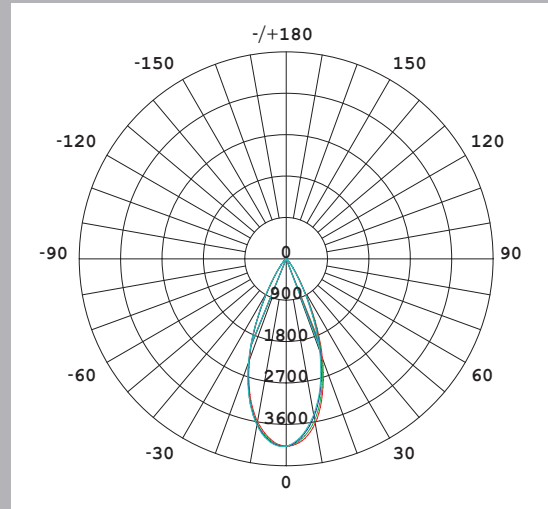
Watts	20W
Power Factor	≥0.9
IP Rating	20
Dimming	Dali
Luminous Flux	1700lm
Color Temperature	4000K
Color Rendering Index(CRI)	>80
Beam Angle	45°
Fascia Colour	White
Installation	Track Mount
Warranty	3 Years

Product Specifications

Supply Voltage	220-240VAC
Supply Frequency	50/60Hz
Cable	No
Body	Aluminium
Diffuser	PC
Driver	Fixed
Ambient Temp	-20°C to +40°C
Avg. Lifetime	>50,000 hrs @ ta 25°C

Option

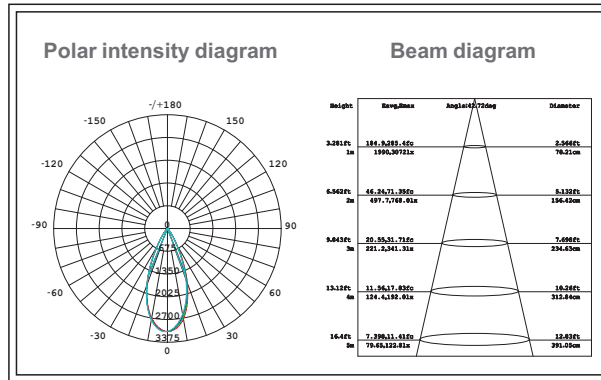
- CCT 3000K/4000K/5000K
- CRI >80/>90
- Beam Angle 12°/24°/45°



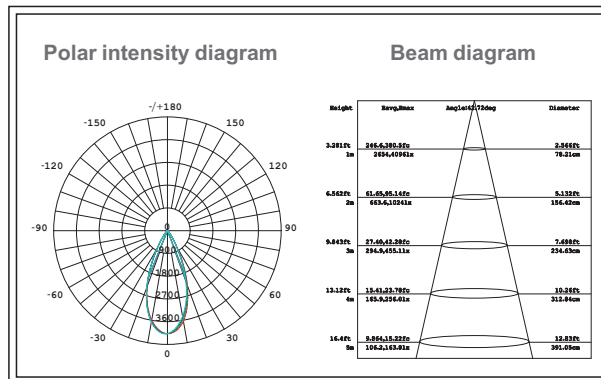


Photometric Diagram

TTR15W82WH



TTR20W82WH





Product Information

Technical Specifications

Voltage	Power	Power Factor	Lumen	CCT	Beamangle	Lifespan	CRI	Dimmable
220-240VAC	15W	≥0.9	1275lm	4000K	45°	>50,000 hrs	>80	No
220-240VAC	20W	≥0.9	1700lm	4000K	45°	>50,000 hrs	>80	No

Driver Data Sheet

Driver Data	Dim	Non-Dim
Frequency	— —	47-63Hz
Input Voltage	— —	198-264VAC
Efficiency	— —	≥85%
Total Load Wattage	— —	35W
Power Factor	— —	≥0.9
Full Load Output Voltage	— —	30-42VDC
Rated Output Current	— —	500mA
Power Tolerance	— —	— —
Current Output Tolerance	— —	±5%
Dimming Range	— —	No
Dimmer	— —	No
Short Circuit Protection	— —	PASS
THD	— —	<20%
Withstand Voltage	— —	3.75KV

