



## Retail/Commercial/Art Gallery

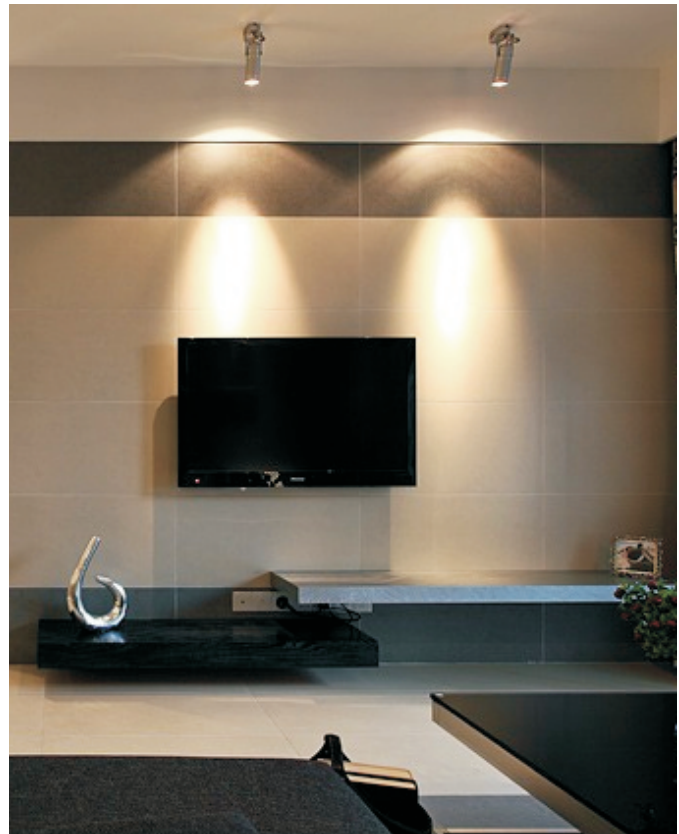
### Applications

- Foyers
- Museums
- Art galleries
- Retail fronts



### Description

- Colour temps 3000K/4000K/5000K
- Rotatable
- Dali dimmable
- Range or beam angles
- Easy to mount



### product range

<b>Code</b>	SRR15W82WH	SRR20W82WH
<b>Watts</b>	15W	20W
<b>Dimension</b>	82mm	82mm
<b>CRI</b>	>80	>80
<b>Efficiency</b>	85lm/W	85lm/W





### Quick Facts

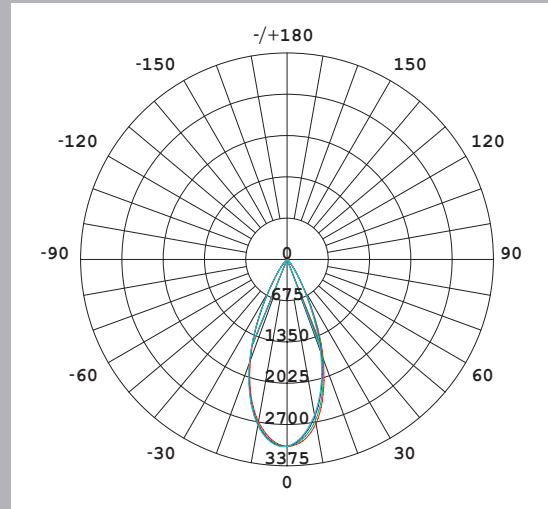
Input Power	15W
Power Factor	>0.9
IP Rating	20
Dimming	Dali
Luminous Flux	1700lm
Color Temperature	3000K
Color Rendering Index(CRI)	>80
Beam Angle	45°
Fascia Colour	White
Installation	Recessed
Warranty	3 Years

### Product Specifications

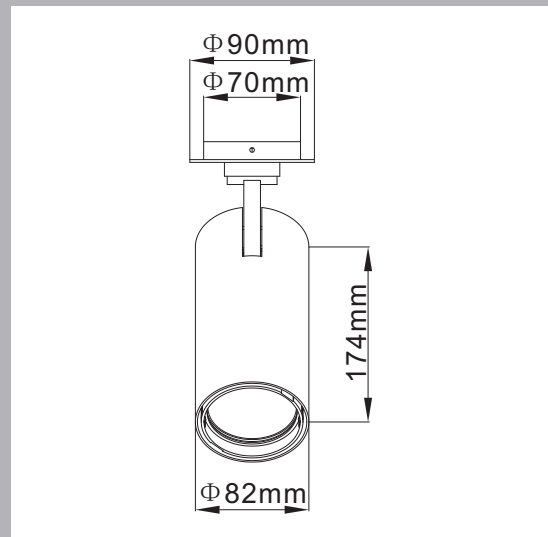
Supply Voltage	220-240VAC
Supply Frequency	50/60Hz
Cable	No
Body	Aluminium
Diffuser	PC
Driver	Fixed
Ambient Temp	-20°C to +40°C
Avg. Lifetime	>50,000 hrs @ ta 25°C

### Option

- CCT 3000K/4000K/5000K
- CRI >80/>90
- Beam Angle 12°/24°/45°



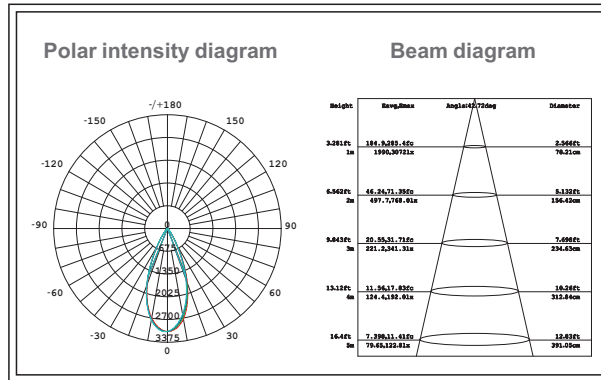
SRR15W82WH



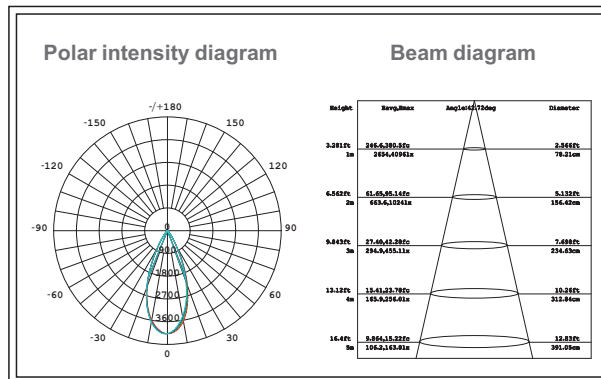


# Photometric Diagram

## SRR15W82WH



## SRR20W82WH





## Product Information

### Technical Specifications

Voltage	Power	Power Factor	Lumen (±5%)	CCT	Beamangle	Lifespan	CRI	Dimmable
220-240VAC	15W	≥0.9	1700lm	4000K	45°	>50,000 hrs	≥80	No
220-240VAC	20W	≥0.9	1650lm	4000K	45°	>50,000 hrs	≥80	No

### Driver Data Sheet

Driver Data	Dim	Non-Dim
Frequency	— —	47-63Hz
Input Voltage	— —	198-264VAC
Efficiency	— —	≥83%
Total Load Wattage	— —	24W
Power Factor	— —	≥0.9
Full Load Output Voltage	— —	30-42VDC
Rated Output Current	— —	350mA
Power Tolerance	— —	10.5-14.5
Current Output Tolerance	— —	±5%
Dimming Range	— —	No
Dimmer	— —	No
Short Circuit Protection	— —	PASS
THD	— —	<20%
Withstand Voltage	— —	3.75KV

