



## Showcases/Display/Retail

## Applications

- Feature spot mini post light
- Can be run in series
- Retail display lighting



## Description

- Variable head mini post
- Colour temps 3000K/4000K/6000K
- Dimmable
- Chrome, silver, black



## product range

<b>Code</b>	MMS5W60*200SL
<b>Watts</b>	5W
<b>Dimension</b>	60*200mm
<b>CRI</b>	>80
<b>Efficiency</b>	≥60lm/W





### Quick Facts

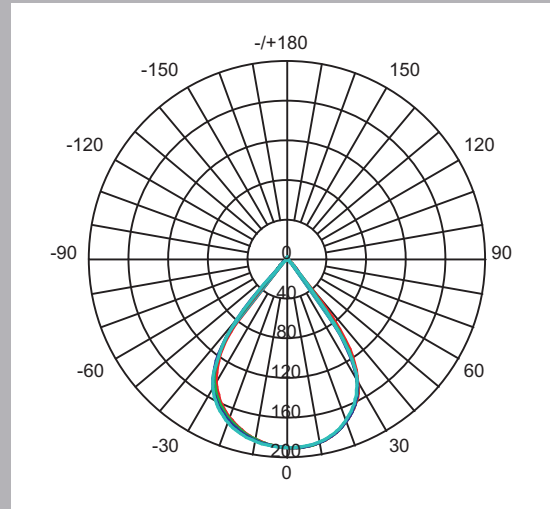
Watts	5W
Power Factor	≥0.36
IP Rating	44
Dimming	No
Luminous Flux	300lm
Color Temperature	3000K
Color Rendering Index(CRI)	>80
Beam Angle	60°
Fascia Colour	Silver
Installation	Surface Mounted
Warranty	2Years

### Product Specifications

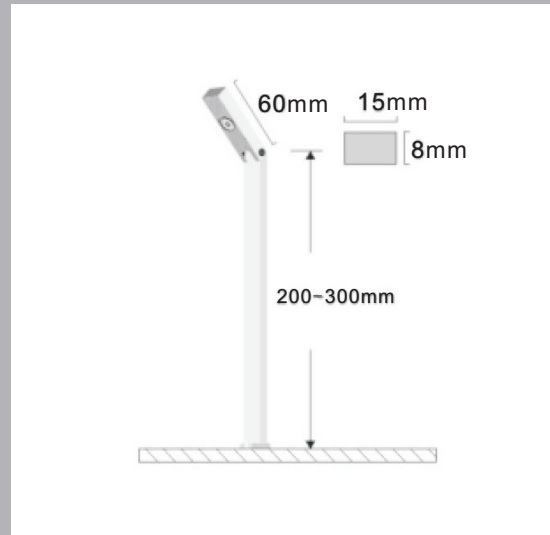
Supply Voltage	100-240VAC
Supply Frequency	50/60Hz
Cable	No
Body	Aluminium
Diffuser	PC
Driver	Fixed
Ambient Temp	0°C to +40°C
Avg. Lifetime	>30,000 hrs @ ta 25°C

### Option

• CCT	3000K/4000K/6000K
• CRI	>70/ > 80/ > 90
• Color	Chrome/Black/Silver



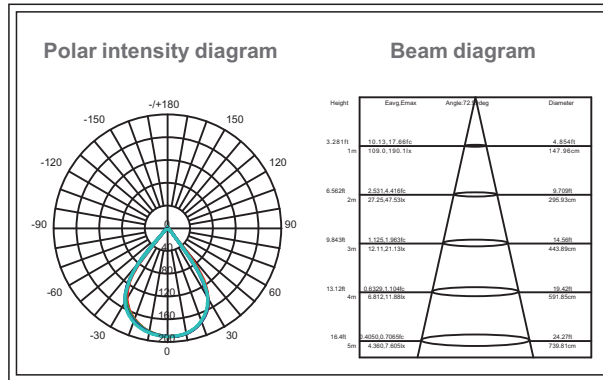
MMS5W60\*200SL





# Photometric Diagram

## MMS5W60\*200SL





## Product Information

### Technical Specifications

Voltage	Power	Power Factor	Lumen	CCT	Beamangle	Lifespan	CRI	Dimmable
100-240VAC	5W	≥0.36	300lm	3000K	60°	>30,000 hrs	>80	No

### Driver Data Sheet

Driver Data	Dim	Non-Dim
Frequency	— —	50/60Hz
Input Voltage	— —	100-240VAC
Efficiency	— —	— —
Total Load Wattage	— —	— —
Power Factor	— —	≥0.36
Full Load Output Voltage	— —	3-10VDC
Rated Output Current	— —	300mA
Power Tolerance	— —	— —
Current Output Tolerance	— —	±5%
Dimming Range	— —	No
Dimmer	— —	No
Short Circuit Protection	— —	PASS
THD	— —	<20%
Withstand Voltage	— —	3.75KV

