



Office/Commercial/Retail

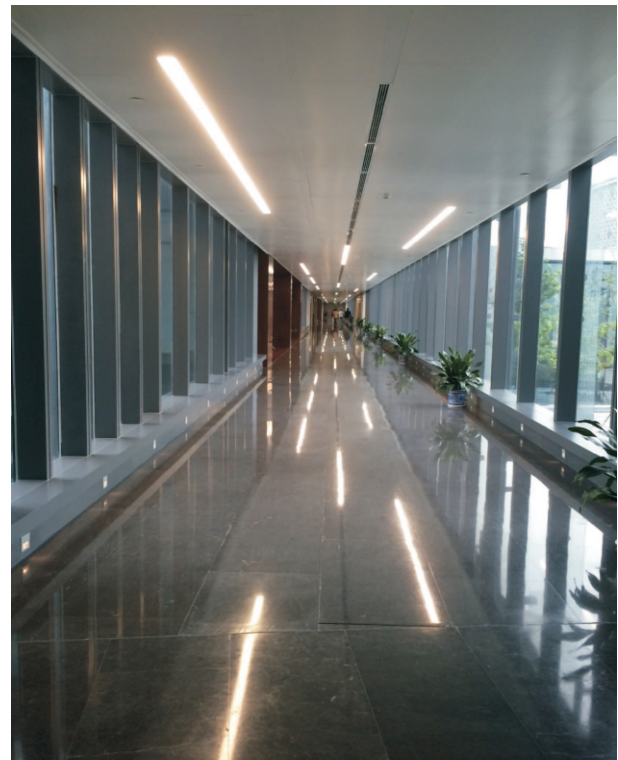
Applications

- Office fronts
- Retail applications
- Airports
- Public spaces
- Law courts



Description

- Aluminium housing
- Stainless steel suspension included
- Wide beam angle
- Colour options available
- Variable lengths available



Product Range

Code	LMS36W1130*43SL	LMS54W1690*43SL	LMS72W2250*43SL
Watts	36W	54W	72W
Cutout	1130mm*43mm	1690mm*43mm	2250mm*43mm
CRI	>80	>80	>80
Efficiency	≥75lm/W	≥75lm/W	≥75lm/W





Quick Facts

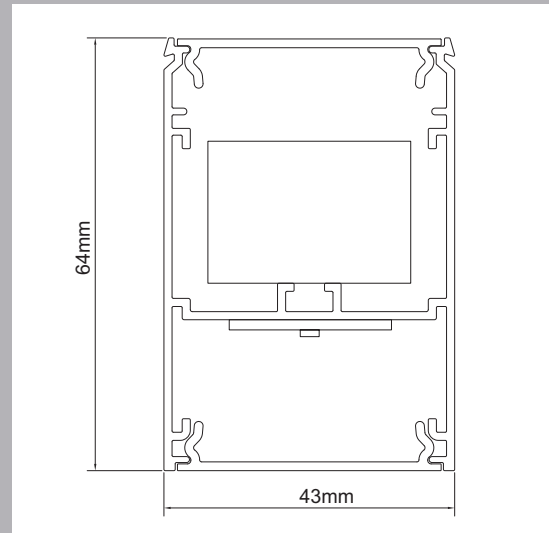
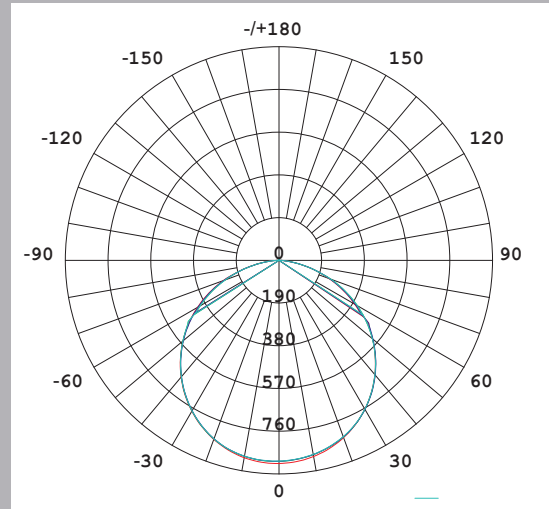
Watts	36W
Power Factor	≥0.95
IP Rating	20
Dimming	Yes
Luminous Flux	2700lm
Color Temperature	4000K
Color Rendering Index(CRI)	>80
Beam Angle	114°
Fascia Colour	Silver
Installation	Surface Mounted
Warranty	5 Years
SDCM	N/A

Product Specifications

Supply Voltage	220-240VAC
Supply Frequency	50/60Hz
Cable	N/A
Body	Aluminium
Diffuser	PC
Driver	Fixed
Ambient Temp	-20°C to +50°C
Avg. Lifetime	>50,000 hrs @ ta 25°C

Option

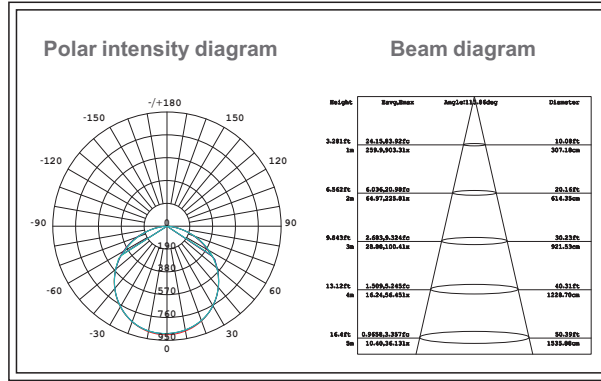
• CCT	3000K/4000K/6000K
• CRI	>80/>90
• Color	White/Silver/Black
• Dimming	Dali/1~10V



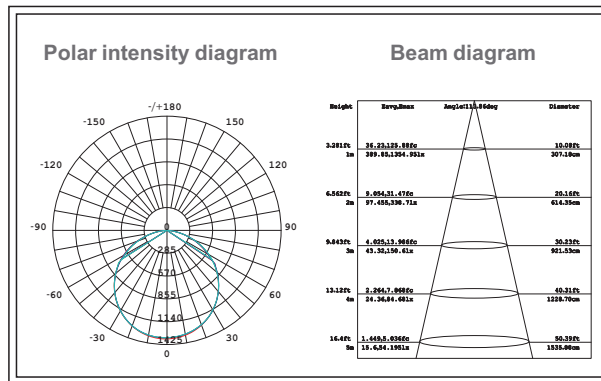


Photometric Diagram

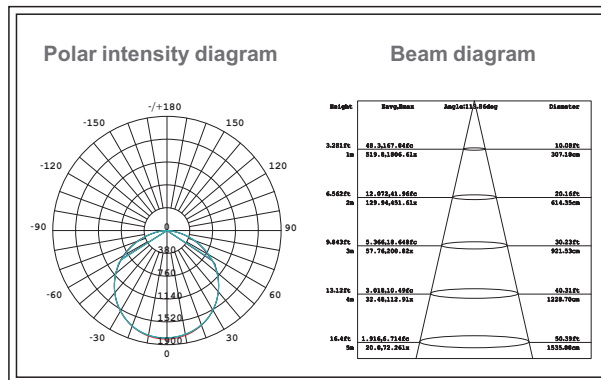
LMS36W1130*43SL



LMS54W1690*43SL



LMS72W2250*43SL





Product Information

Technical Specifications

Voltage	Power	Power Factor	Lumen	CCT	Beamangle	Lifespan	CRI	Dimmable
220-240VAC	36W	≥0.95	2700lm	4000K	114°	>50,000 hrs	≥80	No
100-240VAC	54W	≥0.95	4050lm	4000K	114°	>50,000 hrs	≥80	No
100-240VAC	36W	≥0.95	5400lm	4000K	114°	>50,000 hrs	≥80	No

Driver Data Sheet

Driver Data	Dim	Non-Dim
Frequency	— —	50/60Hz
Input Voltage	— —	220-240VAC
Efficiency	— —	≥90%
Total Load Wattage	— —	39W
Power Factor	— —	≥0.95
Full Load Output Voltage	— —	30-50VDC
Rated Output Current	— —	700mA
Power Tolerance	— —	— —
Current Output Tolerance	— —	±7.5%
Dimming Range	— —	No
Dimmer	— —	No
Short Circuit Protection	— —	PASS
THD	— —	<20%
Withstand Voltage	— —	3.75KV

