



## Commercial/Industrial/ Retail

### Applications

- Warehouse areas
- Store areas
- Supermarket aisle lighting
- Libraries
- Office fitouts

### Description

- Aluminium polycarbonate
- Stainless steel suspension Included
- Linear light series
- Easy installation
- Silver finish
- High out, wide beam angle
- Surface mount option available



### Product Range

Code	HBSL40W1450*60SL	HBSL65W1450*60SL	HBSL75W1450*60SL
Watts	40W	65W	75W
Dimension	1454mm*60mm	1454mm*60mm	1454mm*60mm
CRI	>70	>70	>70
Efficiency	≥130lm/W	≥130lm/W	≥130lm/W





**Quick Facts**

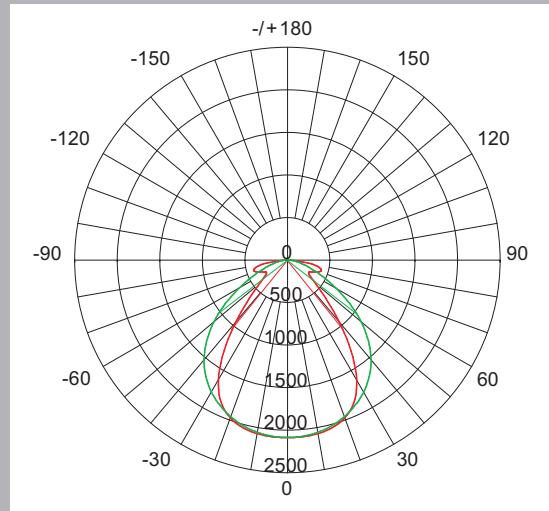
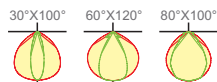
Watts	40W
Power Factor	≥0.9
IP Rating	20
Dimming	Yes
Luminous Flux	5200lm
Color Temperature	5000K
Color Rendering Index(CRI)	>70
Beam Angle	80°*100°
Fascia Colour	Silver
Installation	Suspended
Warranty	5 Years
SDCM	<4.1

**Product Specifications**

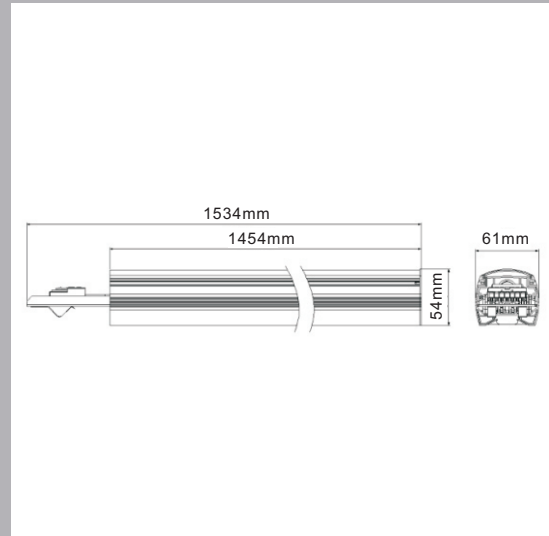
Supply Voltage	220-240VAC
Supply Frequency	50/60Hz
Cable	No
Body	Aluminium
Diffuser	PC Lens
Driver	Fixed
Ambient Temp	-30°C to +50°C
Avg. Lifetime	>50,000 hrs @ ta 25°C

**Option**

- CCT 3000K/4000K/5000K
- CRI >70/>80
- Dimming Dali/1~10V
- Photometric



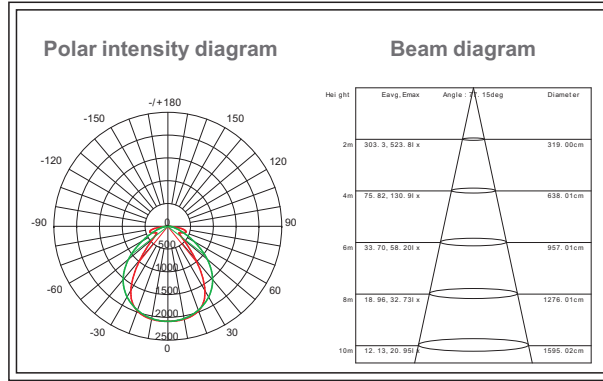
HBSL40W1450\*60SL



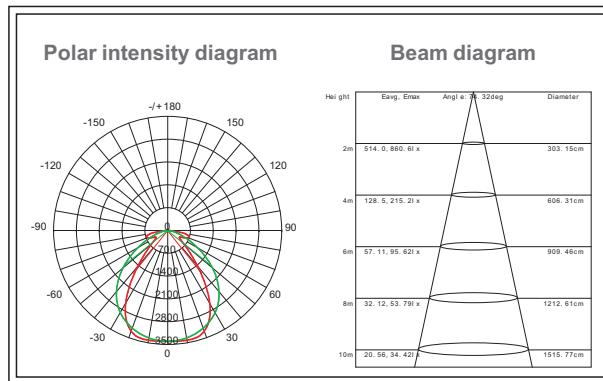


# Photometric Diagram

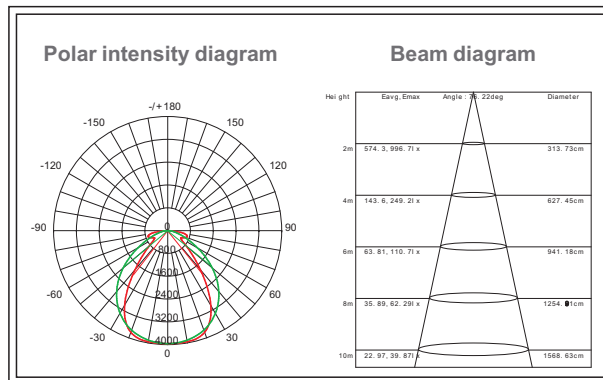
## HBSL40W1450\*60SL



## HBSL65W1450\*60SL



## HBSL75W1450\*60SL





## Product Information

### Technical Specifications

Voltage	Power	Power Factor	Lumen	CCT	Beamangle	Lifespan	CRI	Dimmable
200-240VAC	40W	≥0.9	5200lm	5000K	80°*100°	>50,000 hrs	>70	N/A
200-240VAC	65W	≥0.9	8450lm	5000K	80°*100°	>50,000 hrs	>70	N/A
200-240VAC	75W	≥0.9	9750lm	5000K	80°*100°	>50,000 hrs	>70	N/A

### Driver Data Sheet

Driver Data	Dim	Non-Dim
Frequency	— —	50/60Hz
Input Voltage	— —	200-240VAC
Efficiency	— —	≥91%
Total Load Wattage	— —	40W
Power Factor	— —	≥0.9
Full Load Output Voltage	— —	50-115VDC
Rated Output Current	— —	400mA
Power Tolerance	— —	— —
Current Output Tolerance	— —	±5%
Dimming Range	— —	No
Dimmer	— —	No
Short Circuit Protection	— —	PASS
Thd	— —	<20%
Withstand Voltage	— —	3.75KV

