



## Retail/Hospitality/Commercial/ Showrooms

### Applications

- Recessed downlight large format
- Retail showrooms
- Office spaces
- Restaurant, hotels



### Description

- Aluminium and polycarbonate
- 24 watt to 72 watt series
- Dimmable and controllable
- Multi gimble function
- Colour options available
- Narrow beam angle



#### product range

	Single	Double	Triple
<b>Code</b>	DRS24W180*180WH	DRS48W340*180WH	DRS72W500*180WH
<b>Watts</b>	24W	48W	72W
<b>Cutout</b>	Φ160mm	320mm*160mm	470mm*160mm
<b>CRI</b>	>90	>90	>90
<b>Efficiency</b>	≥70lm/W	≥70lm/W	≥70lm/W





### Quick Facts

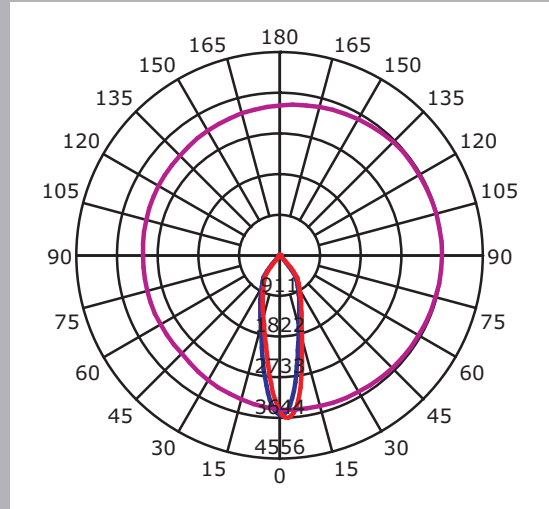
Watts	24W
Power Factor	≥0.95
IP Rating	20
Dimming	Yes
Luminous Flux	1680lm
Color Temperature	3000K
Color Rendering Index(CRI)	>90
Beam Angle	24°
Fascia Colour	White
Installation	Recessed
Warranty	5 Years
SDCM	<6.2

### Product Specifications

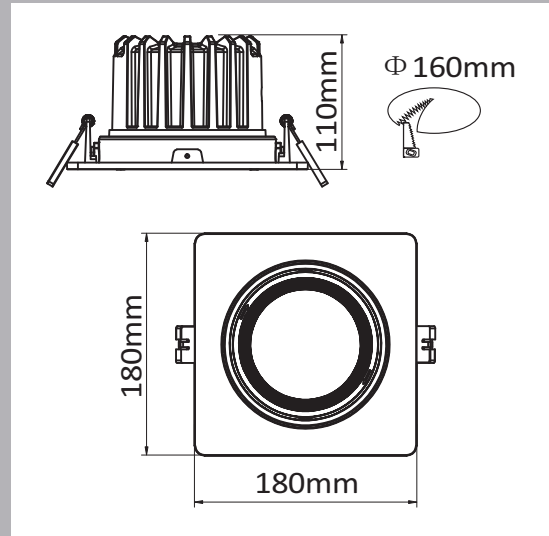
Supply Voltage	220-240VAC
Supply Frequency	50/60Hz
Cable	1.2M Flex&Plug
Body	Aluminium
Diffuser	PC
Driver	Remote
Ambient Temp	-15°C to +45°C
Avg. Lifetime	>50,000 hrs @ ta 25°C

### Option

• CCT	3000K/4000K/5000K
• CRI	>70/>80/>90
• Color	White/Black/Silver
• Dimming	0~10V/Dali



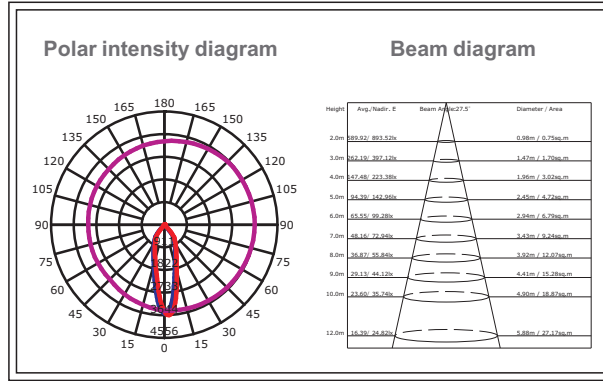
DRS24W180\*180WH



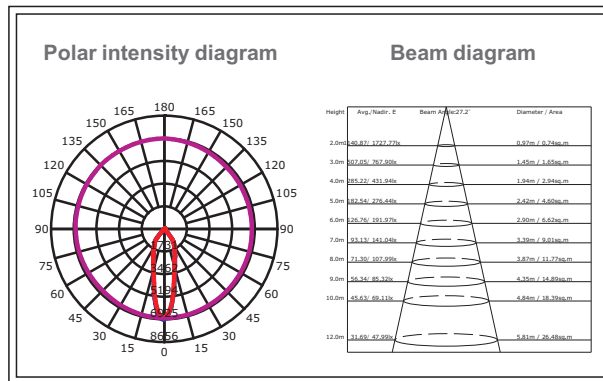


# Photometric Diagram

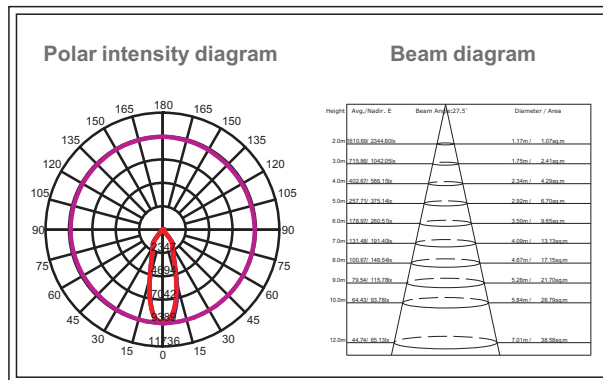
## DRS24W180\*180WH



## DRS48W340\*180WH



## DRS72W500\*180WH





## Product Information

### Technical Specifications

Voltage	Power	Power Factor	Lumen	CCT	Beamangle	Lifespan	CRI	Dimmable
100-240VAC	24W	≥0.95	1680lm	3000K	24°	>50,000 hrs	>90	No
100-240VAC	48W	≥0.95	3360lm	3000K	24°	>50,000 hrs	>90	No
100-240VAC	72W	≥0.95	5040lm	3000K	24°	>50,000 hrs	>90	No

### Driver Data Sheet

Driver Data	Dim	Non-Dim
Frequency	— —	50/60Hz
Input Voltage	— —	220-240VAC
Efficiency	— —	≥89%
Total Load Wattage	— —	26.9W
Power Factor	— —	≥0.95
Full Load Output Voltage	— —	30-40VDC
Rated Output Current	— —	600mA
Power Tolerance	— —	— —
Current Output Tolerance	— —	±5%
Dimming Range	— —	No
Dimmer	— —	No
Short Circuit Protection	— —	PASS
THD	— —	<20%
Withstand Voltage	— —	4KV

