



**Residential/Commercial/Retail/  
Hospitality/Art gallery/Museums/  
Showcase**

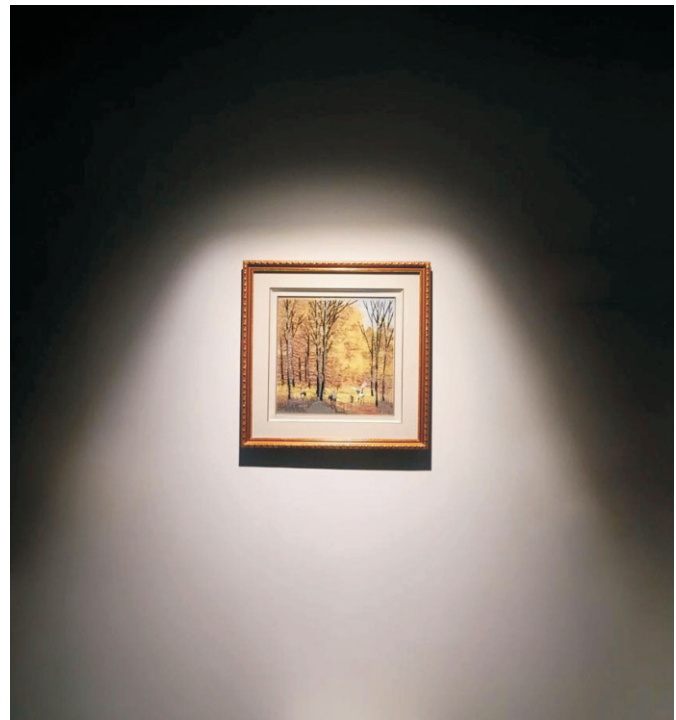
## Applications

- Art gallery, accent downlight
- Office fronts
- Museums
- Retail fronts



## Description

- Aluminium and polycarbonate
- Easy mount clips
- 8 watt or 12 watt
- Narrow beam, high output
- Dimmable
- Colour options available



## Product range

<b>Code</b>	DRS8W85*85WH	DRS12W85*85WH
<b>Watts</b>	8W	12W
<b>Cutout</b>	85mm*85mm	85mm*85mm
<b>CRI</b>	>80	>80
<b>Efficiency</b>	≥70lm/W	≥70lm/W





### Quick Facts

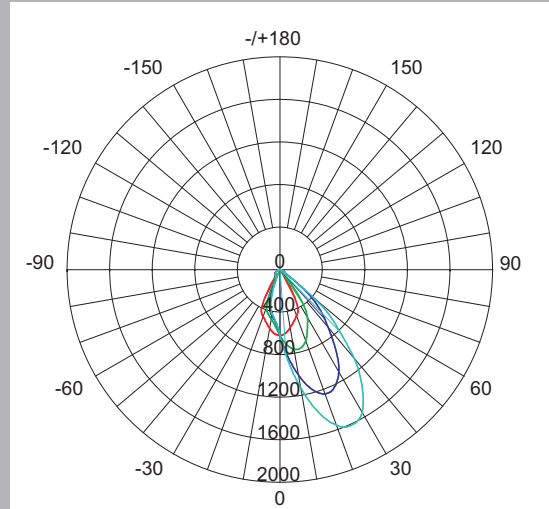
Watts	12W
Power Factor	≥0.9
IP Rating	20
Dimming	Yes
Luminous Flux	840lm
Color Temperature	3000K
Color Rendering Index(CRI)	>80
Beam Angle	38°
Fascia Colour	White
Installation	Recessed
Warranty	3 Years

### Product Specifications

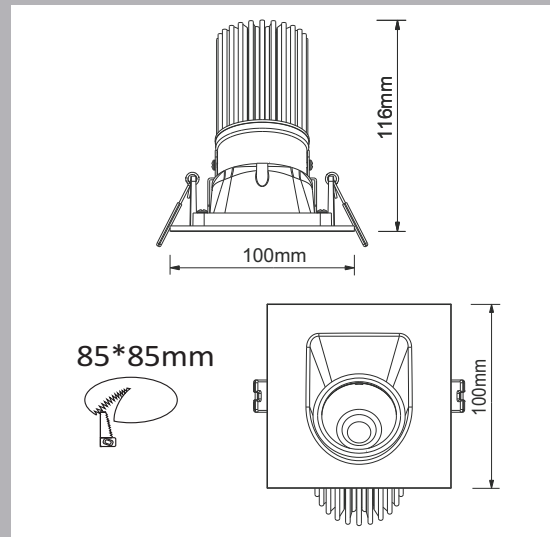
Supply Voltage	220-240VAC
Supply Frequency	50/60Hz
Cable	1.2M Flex&Plug
Body	Aluminium
Diffuser	PC
Driver	Remote
Ambient Temp	-30°C to +50°C
Avg. Lifetime	>50,000 hrs @ ta 25°C

### Option

• CCT	3000K/4000K/5000K
• CRI	>70/>80/>90
• Color	White/Black/Silver
• Dimming	0~10V/Dali
• Beam Angle	15°/24°/38°/60°



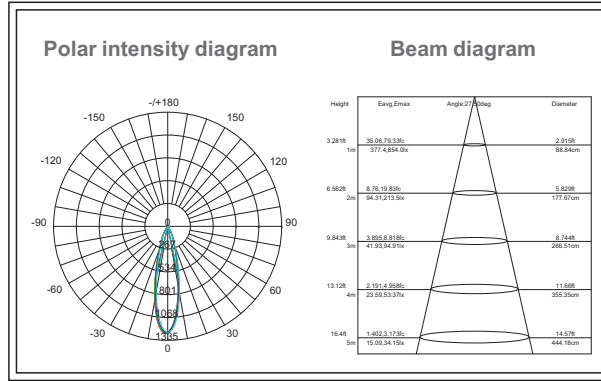
DRS12W100\*100WH



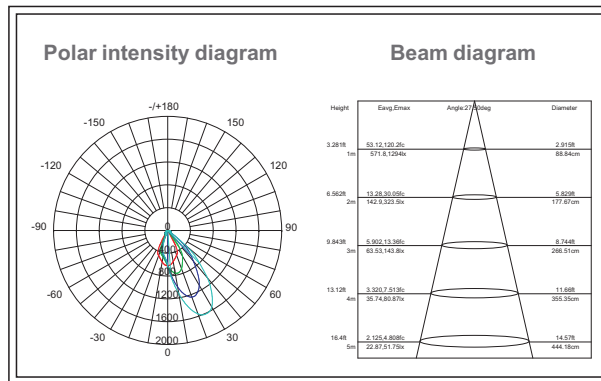


# Photometric Diagram

## DRS8W85\*85WH



## DRS12W85\*85WH





## Product Information

### Technical Specifications

Voltage	Power	Power Factor	Lumen	CCT	Beamangle	Lifespan	CRI	Dimmable
220-240VAC	8W	≥0.8	560lm	3000K	28°	>50,000 hrs	≥80	No
220-240VAC	12W	≥0.9	840lm	3000K	38°	>50,000 hrs	≥80	No

### Driver Data Sheet

Driver Data	Dim	Non-Dim
Frequency	— —	50/60Hz
Input Voltage	— —	220-240VAC
Efficiency	— —	≥83%
Total Load Wattage	— —	14.4W
Power Factor	— —	≥0.9
Full Load Output Voltage	— —	20-40VDC
Rated Output Current	— —	300mA
Power Tolerance	— —	— —
Current Output Tolerance	— —	±5%
Dimming Range	— —	No
Dimmer	— —	No
Short Circuit Protection	— —	PASS
THD	— —	<20%
Withstand Voltage	— —	3.75KV

