



Residential/Commercial/ Retail/Hospitality

Applications

- Apartment complexes
- Theatres
- Office foyers
- Service areas



Description

- Aluminium body
- Polycarbonate diffuser
- 12 watt to 24 watt series
- Elegant design
- Easy installation
- Compact 240mm diameter
- Colour option available
- Wide beam angle
- Low profile



product range

Code	DMR12W145WH	DMR18W180WH	DMR24W240WH
Watts	12W	18W	24W
Dimension	145mm	180mm	240mm
CRI	>80	>80	>80
Efficiency	≥65lm/W	≥70lm/W	≥70lm/W





Quick Facts

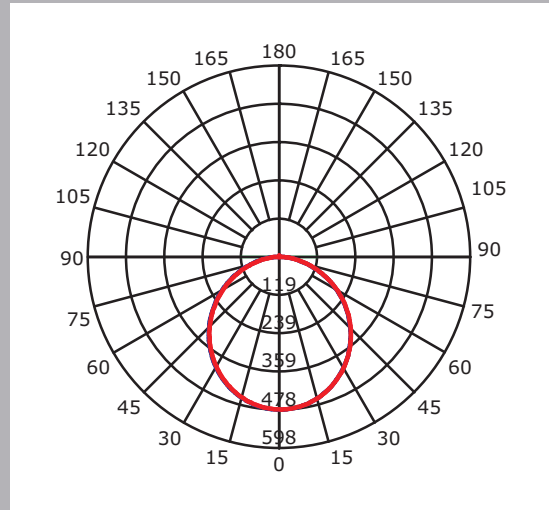
Watts	24W
Power Factor	≥0.9
IP Rating	20
Dimming	No
Luminous Flux	1680lm
Color Temperature	4000K
Color Rendering Index(CRI)	>80
Beam Angle	100°
Fascia Colour	White
Installation	Surface Mounted
Warranty	3 Years

Product Specifications

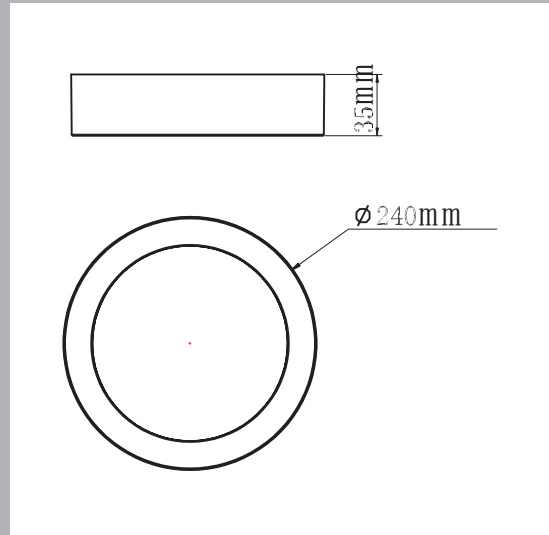
Supply Voltage	220-240VAC
Supply Frequency	50/60Hz
Cable	No
Body	Aluminium
Diffuser	PC
Driver	Fixed
Ambient Temp	-30°C to +50°C
Avg. Lifetime	>40,000 hrs @ ta 25°C

Option

• CCT	3000K/4000K/5000K
• CRI	>70/>80/>90
• Color	White/Black/Silver



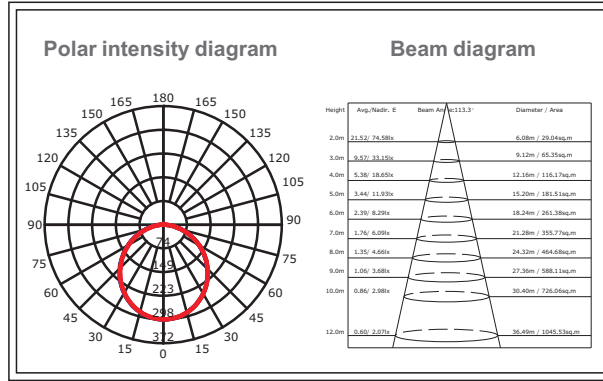
DMR24W240WH



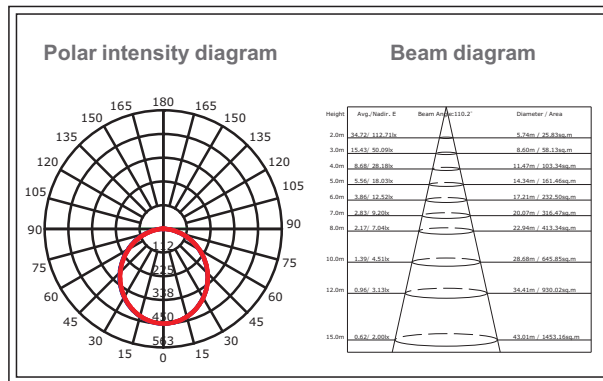


Photometric Diagram

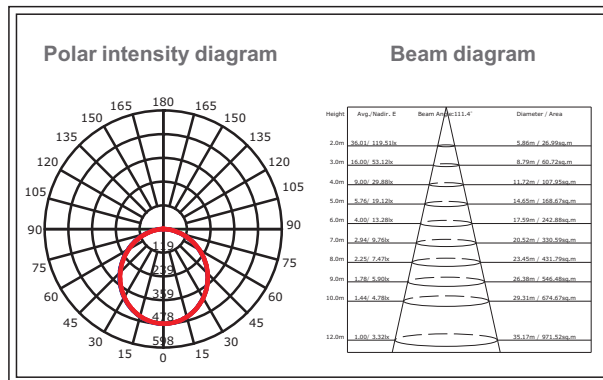
DMR12W145WH



DMR18W180WH



DMR24W240WH





Product Information

Technical Specifications

Voltage	Power	Power Factor	Lumen	CCT	Beamangle	Lifespan	CRI	Dimmable
200-240VAC	12W	≥0.4	780lm	3000K	100°	>40,000 hrs	≥80	No
200-240VAC	18W	≥0.9	1260lm	3000K	100°	>40,000 hrs	≥80	No
200-240VAC	24W	≥0.9	1680lm	3000K	100°	>40,000 hrs	≥80	No

Driver Data Sheet

Driver Data	Dim	Non-Dim
Frequency	— —	50/60Hz
Input Voltage	— —	200-240VAC
Efficiency	— —	≥88%
Total Load Wattage	— —	23.8W
Power Factor	— —	≥0.92
Full Load Output Voltage	— —	30-42VDC
Rated Output Current	— —	500mA
Power Tolerance	— —	— —
Current Output Tolerance	— —	±5%
Dimming Range	— —	No
Dimmer	— —	No
Short Circuit Protection	— —	PASS
THD	— —	<20%
Withstand Voltage	— —	4KV

