



**Residential/Commercial/
Retail/Hospitality**

Applications

- Small spaces
- Foyers entries
- Apartment restaurant spaces
- Shopping arcades

Description

- Smart aluminium design
- Dimmable
- 45° beam angle
- Easy installation
- Colour options available
- Compact design



product range

Code	DMR20W140WH	DMR40W180WH	DMR50W220WH
Watts	20W	40W	50W
Dimension	140mm	180mm	220mm
CRI	>80	>80	>80
Efficiency	≥70lm/W	≥80lm/W	≥70lm/W





Quick Facts

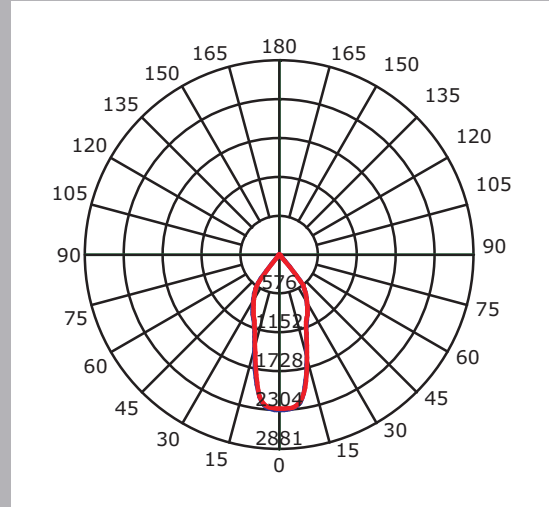
Watts	20W
Power Factor	≥0.95
IP Rating	20
Dimming	Yes
Luminous Flux	1400lm
Color Temperature	3000K
Color Rendering Index(CRI)	>90
Beam Angle	45°
Fascia Colour	White
Installation	Surface Mounted
Warranty	5 Years

Product Specifications

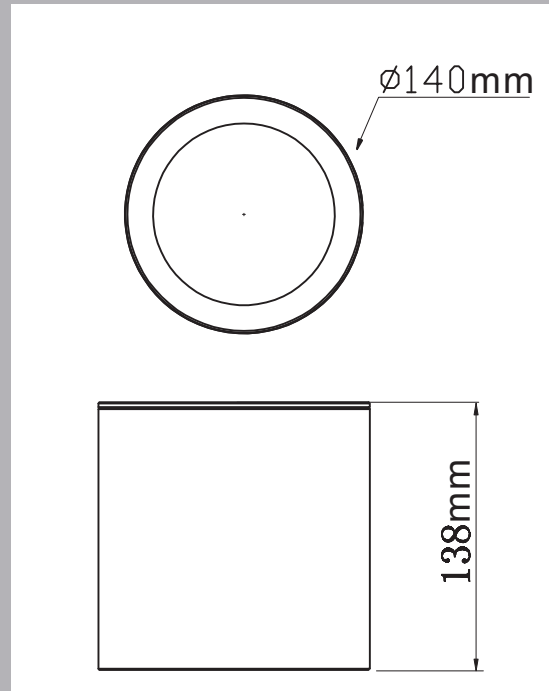
Supply Voltage	220-240VAC
Supply Frequency	50/60Hz
Cable	No
Body	Aluminium
Diffuser	PC
Driver	Fixed
Ambient Temp	-30°C to +50°C
Avg. Lifetime	>50,000 hrs @ ta 25°C

Option

• CCT	3000K/4000K/5000K
• CRI	>80/>90
• Color	White/Black/Silver
• Dimming	0~10V/Dali



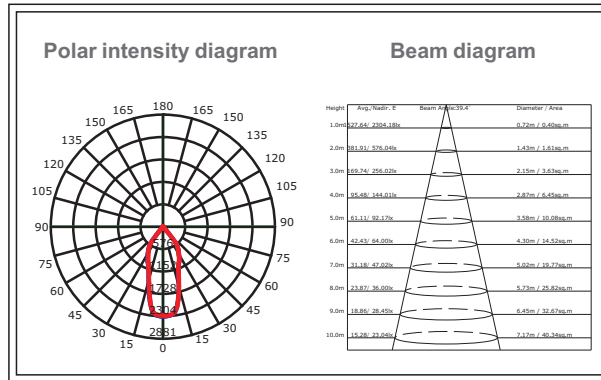
DMR20W140WH



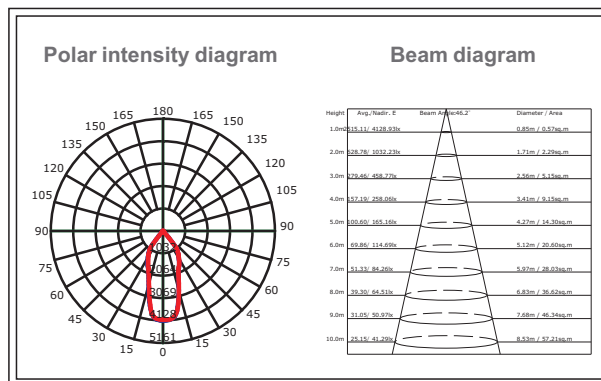


Photometric Diagram

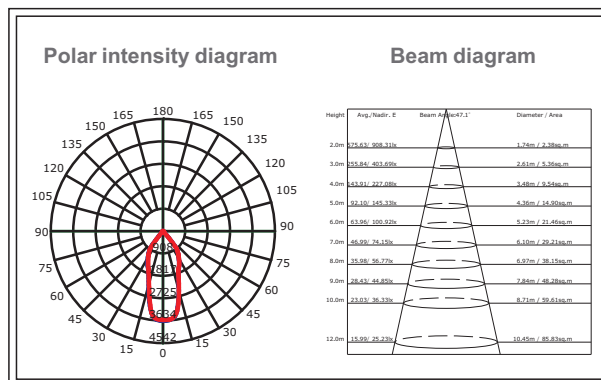
DMR20W140WH



DMR40W180WH



DMR50W220WH





Product Information

Technical Specifications

Voltage	Power	Power Factor	Lumen	CCT	Beamangle	Lifespan	CRI	Dimmable
200-240VAC	20W	≥0.95	1400lm	3000K	45°	>50,000 hrs	>80	No
200-240VAC	40W	≥0.95	3200lm	3000K	45°	>50,000 hrs	>80	No
200-240VAC	50W	≥0.95	3500lm	3000K	45°	>50,000 hrs	>80	No

Driver Data Sheet

Driver Data	Dim	Non-Dim
Frequency	— —	50/60Hz
Input Voltage	— —	200-240VAC
Efficiency	— —	≥89%
Total Load Wattage	— —	26W
Power Factor	— —	≥0.95
Full Load Output Voltage	— —	33-47VDC
Rated Output Current	— —	500mA
Power Tolerance	— —	— —
Current Output Tolerance	— —	±5%
Dimming Range	— —	No
Dimmer	— —	No
Short Circuit Protection	— —	PASS
THD	— —	<20%
Withstand Voltage	— —	4KV

